

**SER****Freeman Municipal  
SEYMOUR, IN**

2.0 mi. SW of city. N38-55.48 W085-54.50 Mag Var: 2 deg W

**Nav aids:**

Type:	ID:	Freq:	Radial:	Distance:
VOR	ABB	112.4	327	23.8
NDB	EQZ	308	44	4.6

**Approach Freqs:**

Indianapolis Center 124.775

**WX Contacts:**

AWOS 119.425 812-522-4244;

**Traffic Patterns:**

All Aircraft 1380 MSL;

**Runways:****14-32;** 5502X100; asphalt; PCL; road ry 14; crops ry 32.**5-23;** 5500X100; asphalt; PCL;**18U-36U;** 1200X100; concrete; crops ry 18U.

Right Traffic: 36U;

**Communication Freqs:**

Unicom 122.8 CTAF 122.8

FSS TERRE HAUTE 122.65

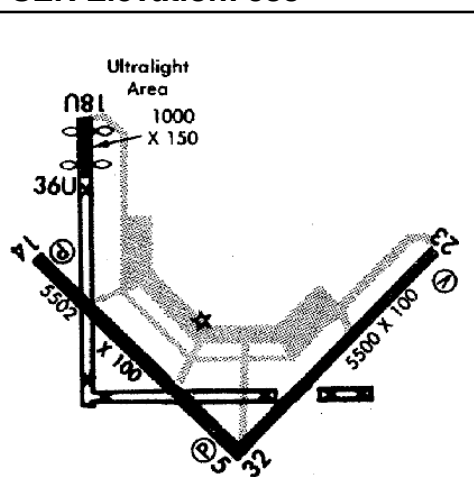
**Lights:** SS to SR 122.8

Low - 3 clicks in 5 secs.

Med - 5 clicks in 5 secs.

Hi - 7 clicks in 5 secs.

Beacon: and photo cell

**SER Elevation: 583**

Phone: 812-522-2130 Fax: 812-523-3925

Fees: Hangar Fee;

Charts: ST LOUIS; L21;

Approaches: LOC; NDB;

FSS: TERRE HAUTE 866-224-9906

Fuel: 100LL; Jet; Jet-premix;

Special Operations: Ultralights; Agricultural Ops; Helicopter Ops; RC Models;

**FBO Summary****Pardieck Aviation** AOPA FBO Rebate Program;

Fuel: independent-100LL; independent-Jet-premix;

Location: N; Hours: daylight; after on req 24 hrs 812/522-6187; fuel service full svc daylight; self svc after hours

Frequencies: Unicom: 122.8;

Phone Number(s): 812-523-6001

**Skyward Air Service, LLC.** AOPA FBO Rebate Program; Meteorlogix Weather Available;

Fuel: Texaco-100LL; Texaco-Jet;

Location: NW; Hours: 8 am to 5 pm Mon thru Sat; after by appt

Phone Number(s): 812-524-2818

**AOPA's Airport Directory**Generated 03/25/2006 at <http://www.aopa.org/members/airports/>  
Copyright 2003 Aircraft Owners and Pilots Association